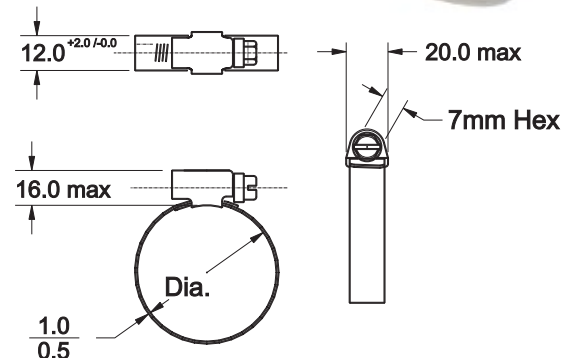
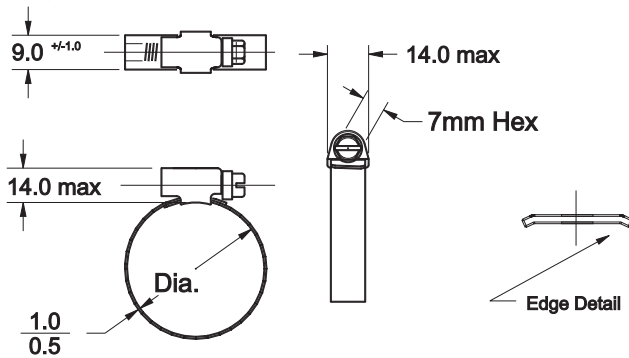


## Embossed Non-Perforated Worm Gear Clamps

- Meets the DIN 3017 standard
- Available in all 304 stainless steel (W4) and 316 stainless steel (W5). Ask your sales representative for W1 and W2 material grades.
- Available in 9mm and 12mm band widths.
- General purpose non perforated band especially suited for most hoses and soft silicone hoses
- Band edges rolled to protect soft hoses from shearing and fraying
- Common applications include: vehicular, industrial, mechanical engineering, plumbing and marine



### 9mm Wide Embossed Band Clamps

W4 Mat'l Part Number	W5 Mat'l Part Number	Range of Adjust (in mm)	Installation Torque (in lbs.)
EB9x012SS	EBL9x012SS	8-12	25.0
EB9x016SS	EBL9x016SS	10-16	25.0
EB9x018SS	EBL9x018SS	12-18	25.0
EB9x022SS	EBL9x022SS	12-22	40.0
EB9x027SS	EBL9x027SS	16-27	40.0
EB9x032SS	EBL9x032SS	20-32	40.0
EB9x040SS	EBL9x040SS	25-40	40.0
EB9x045SS	EBL9x045SS	30-45	40.0
EB9x050SS	EBL9x050SS	35-50	40.0
EB9x060SS	EBL9x060SS	40-60	40.0
EB9x070SS	EBL9x070SS	50-70	40.0
EB9x080SS	EBL9x080SS	60-80	40.0
EB9x090SS	EBL9x090SS	70-90	40.0
EB9x100SS	EBL9x100SS	80-100	40.0
EB9x110SS	EBL9x110SS	90-110	40.0
EB9x120SS	EBL9x120SS	100-120	40.0
EB9x130SS	EBL9x130SS	110-130	40.0
EB9x140SS	EBL9x140SS	120-140	40.0
EB9x150SS	EBL9x150SS	130-150	40.0
EB9x160SS	EBL9x160SS	140-160	40.0

### 12mm Wide Embossed Band Clamps

W4 Mat'l Part Number	W5 Mat'l Part Number	Range of Adjust (in mm)	Installation Torque (in lbs.)
EB12x022SS	EBL12x022SS	12-22	60.0
EB12x027SS	EBL12x027SS	16-27	60.0
EB12x032SS	EBL12x032SS	20-32	60.0
EB12x040SS	EBL12x040SS	25-40	60.0
EB12x045SS	EBL12x045SS	30-45	60.0
EB12x050SS	EBL12x050SS	35-50	60.0
EB12x060SS	EBL12x060SS	40-60	60.0
EB12x070SS	EBL12x070SS	50-70	60.0
EB12x080SS	EBL12x080SS	60-80	60.0
EB12x090SS	EBL12x090SS	70-90	60.0
EB12x100SS	EBL12x100SS	80-100	60.0
EB12x110SS	EBL12x110SS	90-110	60.0
EB12x120SS	EBL12x120SS	100-120	60.0
EB12x130SS	EBL12x130SS	110-130	60.0
EB12x140SS	EBL12x140SS	120-140	60.0
EB12x150SS	EBL12x150SS	130-150	60.0
EB12x160SS	EBL12x160SS	140-160	60.0

**Rated Ultimate Torque:**  
Plated/ 400SS screw = 50in.lbs.min (5.6Nm) - 300SS screw= 60in.lbs.min. (6.8Nm)  
**Recommended Installation Torque:**  
30-40in.lbs. (3.4-4.5Nm)