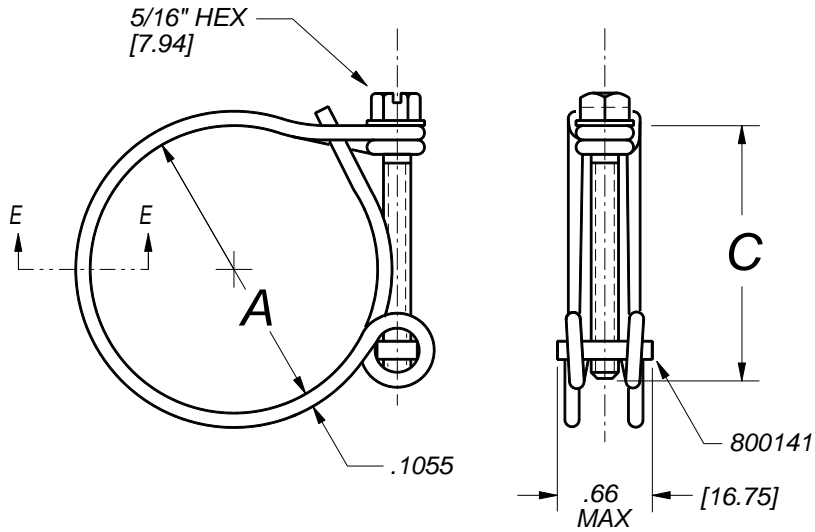
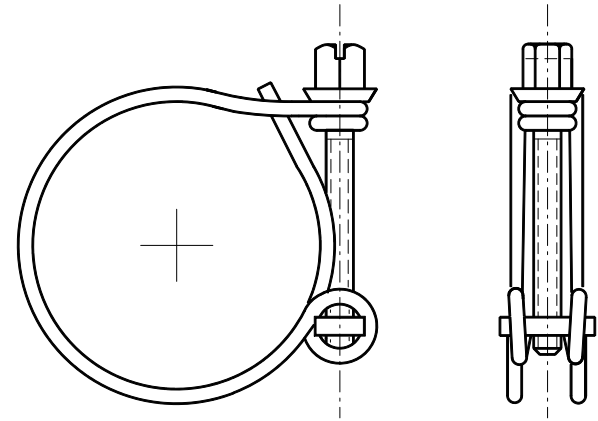


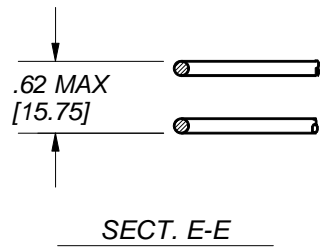
TYPE "A" CLAMP



TYPE "A" HIGH HEX



ALL DIMENSIONS ARE TYPICAL OF STANDARD TYPE "A" CLAMP UNLESS OTHERWISE NOTED.



RATED TORQUE:
 FREE TORQUE: 4 in.lbs. MAX
 ULTIMATE TORQUE: 40 in.lbs. MIN.



TITLE:
SAE TYPE "A" CLAMP

P/N:
 102xxx