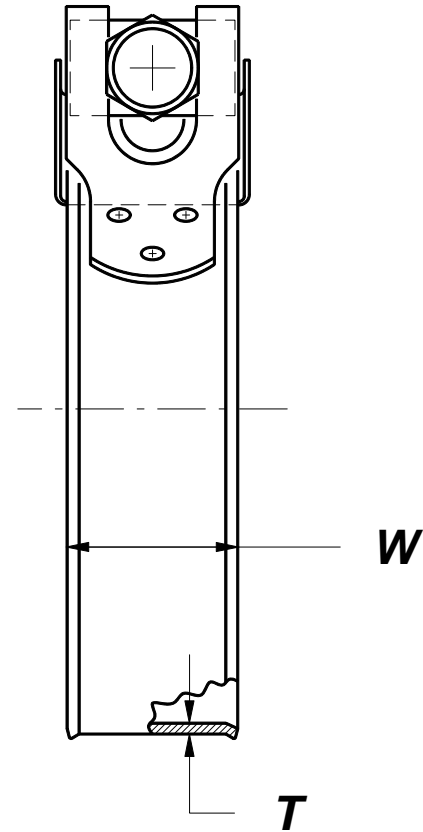
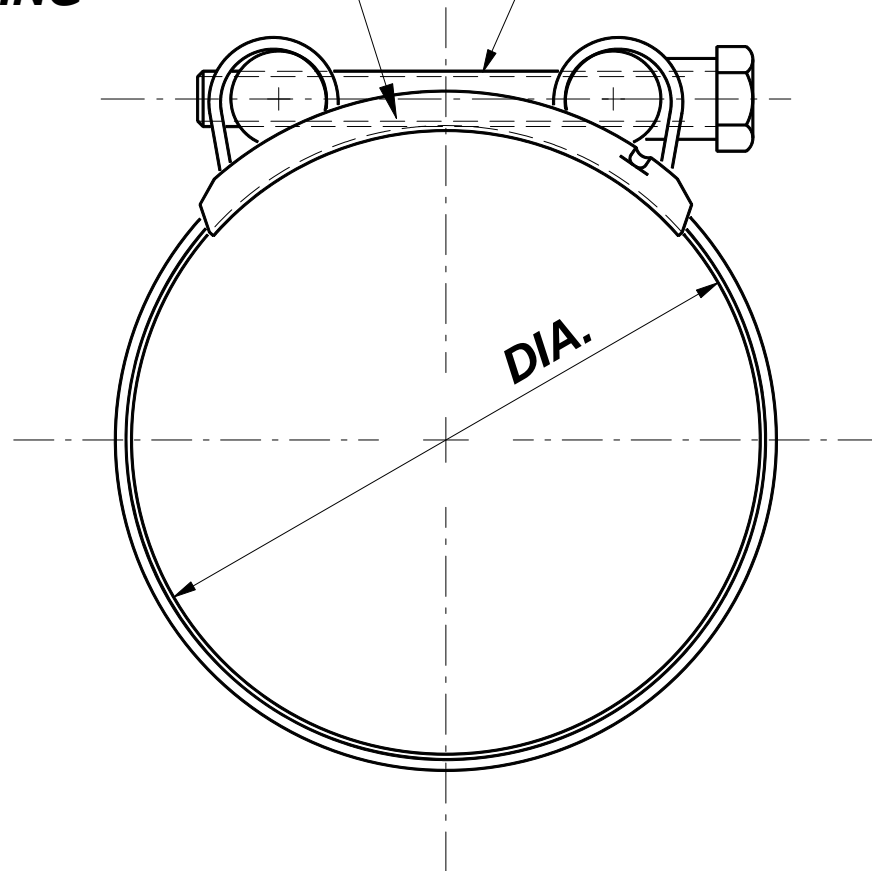


**CHANNEL BRIDGE
FLOATING**

SCREW



NOTES:

- MATERIALS:**
BHM SERIES - ALL 304 STAINLESS - W4 EQUIVALENT
BHL SERIES - ALL 316 STAINLESS - W5 EQUIVALENT
- FOR DIMENSIONS, DIAMETERS, AND PART NUMBERS...SEE ATTACHED TABLES

MURRAY
HUNT VALLEY, MD.

TITLE:
BARREL HARDWARE CLAMPS

P/N:
BHxxxSS (BOLT & BARREL)

P/N BHM (SERIES) 304ss	W4 P/N BHL (SERIES) 316ss	DIAMETER RANGE mm	T mm	W mm	SCREW DIA. mm	RATED TORQUE Nm Min.	RATED TORQUE in.lbs. Min.
BHM5x019SS	BHL5x019SS	17 - 19	0.60	18.0	5	5.0	44
BHM5x022SS	BHL5x022SS	20 - 22					
BHM5x025SS	BHL5x025SS	23 - 25					
BHM5x028SS	BHL5x028SS	26 - 28		18.0	5	5.0	44
BHM6x031SS	BHL6x031SS	29 - 31		20.0	6	15.0	133
BHM6x035SS	BHL6x035SS	32 - 35					
BHM6x039SS	BHL6x039SS	36 - 39					
BHM6x043SS	BHL6x043SS	40 - 43	0.60	20.0			
BHM6x047SS	BHL6x047SS	44 - 47	0.80	22.0			
BHM6x051SS	BHL6x051SS	48 - 51					
BHM6x055SS	BHL6x055SS	52 - 55					
BHM6x059SS	BHL6x059SS	56 - 59					
BHM6x063SS	BHL6x063SS	60 - 63			6		
BHM8x067SS	BHL8x067SS	64 - 67		22.0	8	15.0	133
BHM8x073SS	BHL8x073SS	68 - 73		24.0		25.0	221
BHM8x079SS	BHL8x079SS	74 - 79					
BHM8x085SS	BHL8x085SS	80 - 85					
BHM8x091SS	BHL8x091SS	86 - 91					
BHM8x097SS	BHL8x097SS	92 - 97					
BHM8x103SS	BHL8x103SS	98 - 103					
BHM8x112SS	BHL8x112SS	104 - 112					
BHM8x121SS	BHL8x121SS	113 - 121					
BHM8x130SS	BHL8x130SS	122 - 130	0.80	24.0	8	25.0	221



TITLE:
BARREL HARDWARE CLAMPS

P/N:
BHxxxSS

P/N BHM (SERIES) 304ss	W4 P/N BHL (SERIES) 316ss	DIAMETER RANGE mm	T mm	W mm	SCREW DIA. mm	RATED TORQUE Nm Min.	RATED TORQUE Ft.lbs. Min.
BHM10x139SS	BHL10x139SS	131 - 139	1.0	26.0	10	40.0	30
BHM10x148SS	BHL10x148SS	140 - 148					
BHM10x161SS	BHL10x161SS	149 - 161					
BHM10x174SS	BHL10x174SS	162 - 174					
BHM10x187SS	BHL10x187SS	175 - 187					
BHM10x200SS	BHL10x200SS	188 - 200					
BHM10x213SS	BHL10x213SS	201 - 213					
BHM10x226SS	BHL10x226SS	214 - 226					
BHM10x239SS	BHL10x239SS	227 - 239					
BHM10x252SS	BHL10x252SS	240 - 252					
BHM10x265SS	BHL10x265SS	253 - 265					
BHM10x278SS	BHL10x278SS	266 - 278					
BHM10x291SS	BHL10x291SS	279 - 291	▼	▼	▼	▼	▼
BHM10x304SS	BHL10x304SS	292 - 304	1.0	26.0	10	40.0	30

MURRAY LOGO STENCIL



LOGO

DIA
RANGE

MAT'L
CODE



TITLE:

BARREL HARDWARE CLAMPS

P/N:

BHxxxSS