

## Worm Drive Hose Clamps- SAE Type "F"

We offer multiple grades and sizes of traditional worm drive hose clamps.

### H Series - "Gold Seal" Clamps

- 200/300 series stainless steel band and housing
- Heat treated carbon steel screw with 5/16" slotted hex head and plated with trivalent chromate
- Good general purpose clamp
- Ultimate Torque: 50 in.lbs. min (5.6Nm) Installation Torque: 30-40in.lbs. (3.4- 4.5Nm)

### HSS Series - All Stainless Steel Clamps

- 200/300 series stainless steel band and housing
- 400 series stainless steel 5/16" slotted hex head screw
- Moderate corrosion resistance perfect for industrial installations
- Ultimate Torque: 60in.lbs. min. (6.8Nm) Installation Torque: 35-45in.lbs. (4.0-5.1Nm)

### HFSS Series - All 300 Series Stainless Steel Clamps

- 300 series stainless steel band, housing and 5/16" slotted hex head screw
- All 300 series stainless steel construction provides better corrosion resistance than HSS Series
- Well suited for marine applications
- Ultimate Torque: 60in.lbs. min. (6.8Nm) Installation Torque: 35-45in.lbs. (4.0-5.1Nm)

### HGSS Series - All 304 Series Stainless Steel Clamps

- 304 series stainless steel band, housing and screw
- Suitable for harsh environments and marine applications
- Ultimate Torque: 60in.lbs. min. (6.8Nm) Installation Torque: 35-45in.lbs. (4.0-5.1Nm)

### HLSS Series - All 316 Series Stainless Steel Clamp

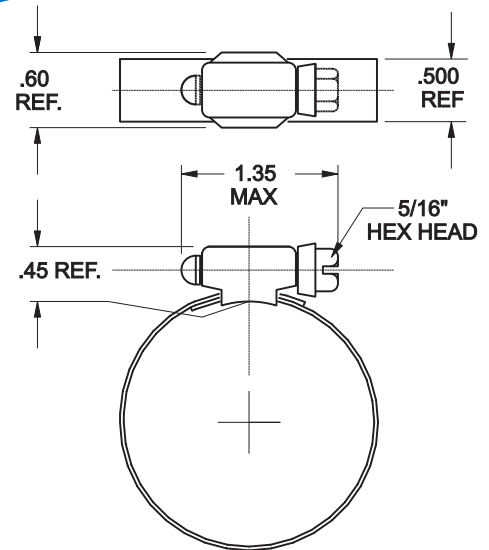
- 316 series stainless steel band, housing and screw
- Our most durable clamp for excellent performance in highly corrosive environments
- Suitable for plumbing, water well, municipal storm drains, irrigation, marine, transportation and Petrochemical applications
- Ultimate Torque: 60in.lbs. min. (6.8Nm) Installation Torque: 35-45in.lbs. (4.0-5.1Nm)

### HMSS Series - All Stainless Steel Clamp With 9/16" Wide Band

- 200 series stainless steel band and housing
- 400 series stainless steel 5/16" slotted hex head screw
- 9/16" wide band
- Ultimate Torque: 60in.lbs. min. (6.8Nm) Installation Torque: 35-45in.lbs. (4.0-5.1Nm)

Clamp Series	"A" Diameter Range				
	SAE Size	Decimals	Inches	SAE Size	Millimeters
6	0.44	0.78	7/16	25/32	20
8	0.44	0.91	7/16	29/32	23
10	0.56	1.06	9/16	11/16	27
12	0.69	1.25	11/16	11/4	32
16	0.75	1.5	3/4	11/2	38
20	0.81	1.75	13/16	13/4	44
24	1.06	2	11/16	2	51
28	1.31	2.25	15/16	21/4	57
32	1.56	2.5	19/16	21/2	64
36	1.81	2.75	113/16	23/4	70
40	2.06	3	21/16	3	76
44	2.31	3.25	25/16	31/4	83
48	2.56	3.5	29/16	31/2	89
52	2.81	3.75	213/16	33/4	95
56	3.06	4	31/16	4	102
60	3.31	4.25	35/16	41/4	108
64	3.56	4.5	39/16	41/2	114
72	4.06	5	41/16	5	127
80*	4.56	5.5	49/16	51/2	140
88*	5.06	6	51/16	6	152
96	5.56	6.5	59/16	61/2	165
104	6.06	7	61/16	7	178
116	6.5	7.75	61/2	73/4	197
128	5.69	8.5	511/16	8-12	216

\*items not stocked. special order only



Applies to: H, H-SS, HF-SS, HL-SS Series

### Part Number Explanation

- Hxx**
  - HxxSS**
  - HFxxSS**
  - HGxxSS**
  - HLxxSS**
  - HMxxSS**
  - xx=SAE Size**
- Select the series and add the SAE size to determine your part number.
- Then add the part number extension: 00C for Bulk, 00P for 10 PC Packers

All 304 Stainless Steel Construction Clamp

**HG40SS00P**

SAE Size      10 PC Packers