

SAE Type "SEC"

U.S. Patent Number 5,669,113

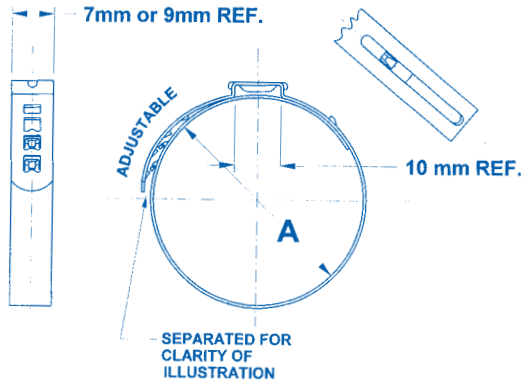
Keystone® Boot

Clamps

- PATENTED TOOL GRIP LOBES ON EAR ELIMINATE MIS-CRIMPS.
- PATENTED INTERLOCK HOOKS PROVIDE STRONG, SECURE BAND JOINING – ELIMINATES COMEBACKS FOR BAND FAILURE.
- ADJUSTABLE – REDUCES INVENTORY OF SIZES REQUIRED.
- AVAILABLE PRIVATE LABELED – PROVIDES PERMANENT IDENTIFICATION FOR TRACKING PURPOSES – MINIMUM RELEASE QUANTITIES APPLY.
- AVAILABLE AS "FLATS" – 62MM AND LARGER – REDUCES FREIGHT COSTS, ELIMINATES TANGLED CLAMPS, REDUCES SHELF SPACE REQUIREMENTS.
- ALL STAINLESS STEEL CONSTRUCTION.
- APPLICATIONS INCLUDE CV BOOT, HANGING VARIOUS SIGNS, SECURING WIRE BUNDLES, AND IRRIGATION MARKET.



HAND INSTALLATION TOOL A2000 PNEUMATIC INSTALLATION TOOL A3000



9mm Part Number 9mm Wide*	"A" Range			
	Millimeters		Decimals	
	Open	Closed	Open	Closed
KV9072	72.0	64.1	2.835	2.524
KV9078	78.0	70.1	3.071	2.760
KV9080	80.0	72.1	3.150	2.839
KV9084	84.0	76.1	3.307	2.996
KV9090	90.0	82.1	3.543	3.232
KV9092	92.0	84.1	3.622	3.311
KV9096	96.0	88.1	3.780	3.469
KV9102	102.0	94.1	4.016	3.705
KV9108	108.0	100.1	4.252	3.941
KV9112	112.0	104.1	4.409	4.098
KV9114	114.0	106.1	4.488	4.177
KV9120	120.0	112.1	4.724	4.413
KV9126	126.0	118.1	4.961	4.650

7mm Part Number 7mm Wide*	"A" Range			
	Millimeters		Decimals	
	Open	Closed	Open	Closed
KV7030	30.0	22.1	1.181	.870
KV7035	35.0	27.1	1.378	1.067
KV7040	40.0	32.1	1.575	1.264
KV7045	45.0	37.1	1.772	1.461
KV7050	50.0	42.1	1.969	1.657
KV7056	56.0	48.1	2.205	1.894
KV7062	62.0	54.1	2.441	2.130
KV7068	68.0	60.1	2.677	2.366
KV7074	74.0	66.1	2.913	2.602
KV7080	80.0	72.1	3.150	2.839
KV7086	86.0	78.1	3.386	3.075
KV7092	92.0	84.1	3.622	3.311
KV7098	98.0	90.1	3.858	3.547
KV7104	104.0	96.1	4.094	3.783
KV7110	110.0	102.1	4.331	4.020
KV7116	116.0	108.1	4.566	4.256

*Sizes larger than KV7062 are available in flat configuration

*Available in flat configuration
Other sizes and material available upon request

