

SAE Type "F" Meets or Exceeds SAE J1508

"H" Series

With Zinc Plated Carbon Steel Screw

Band and housing are 200/300 series stainless steel. Screw is 5/16" slotted hex head, heat treated carbon steel, double plated with zinc plus trivalent chromate for long lasting protection. Good general-purpose clamp. (THIS IS THE ONE WITH THE "GOLD SCREW")

Rated Ultimate Torque:

50in.lbs. min. (5.6Nm)

Recommended Installation Torque:

30-40in.lbs. (3.4-4.5Nm)

"H-SS" Series

With "400" Series Stainless Steel Screw

Band and housing are 200/300 series stainless steel. Screw is 5/16" slotted hex head, heat treated 400 series stainless steel. The high corrosion of this all stainless steel band, housing, and screw makes this the perfect clamp for numerous industrial installations.

Rated Ultimate Torque:

60in.lbs. min. (6.8Nm)

Recommended Installation Torque:

35-40in.lbs. (3.96-4.52Nm)

"HF-SS" Series

All "300" Series Stainless Steel Construction

Band, housing and screw are 300 series stainless steel. Screw is 5/16" slotted hex head. The all-300 series stainless steel construction provides better corrosion resistance than that available from the "H-SS" Series, making this clamp well suited for marine applications.

Rated Ultimate Torque:

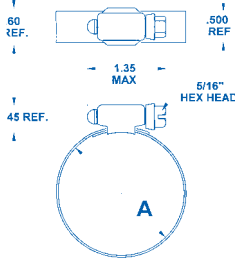
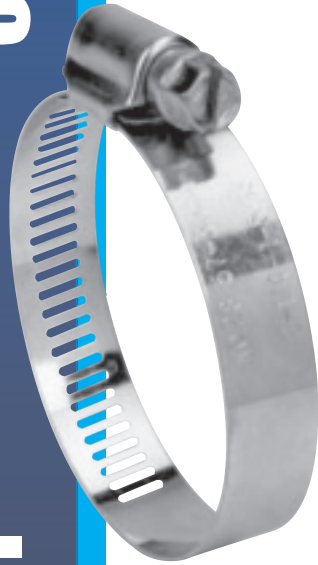
60in.lbs. min. (6.8Nm)

Recommended Installation Torque:

35-45in.lbs. (3.96-4.52Nm)

Clamps

Gold Seal®



Clamp Series

SAE Size	H	H-SS	HF-SS	HL-SS	HDL-SS	T-SS	
6	H 6	H 6 SS	HF 6 SS	HL 6 SS	HDL 6 SS	T 6 SS	
8	H 8	H 8 SS	HF 8 SS	HL 8 SS	HDL 8 SS	T 8 SS	
10	H 10	H 10 SS	HF 10 SS	HL 10 SS	HDL 10 SS	T 10 SS	
12	H 12	H 12 SS	HF 12 SS	HL 12 SS	HDL 12 SS	T 12 SS	
16	H 16	H 16 SS	HF 16 SS	HL 16 SS	HDL 16 SS	T 16 SS	
20	H 20	H 20 SS	HF 20 SS	HL 20 SS	HDL 20 SS	T 20 SS	
24	H 24	H 24 SS	HF 24 SS	HL 24 SS	HDL 24 SS	T 24 SS	
28	H 28	H 28 SS	HF 28 SS	HL 28 SS	HDL 28 SS	T 28 SS	
32	H 32	H 32 SS	HF 32 SS	HL 32 SS	HDL 32 SS	T 32 SS	
36	H 36	H 36 SS	HF 36 SS	HL 36 SS	HDL 36 SS	T 36 SS	
40	H 40	H 40 SS	HF 40 SS	HL 40 SS	HDL 40 SS	T 40 SS	
44	H 44	H 44 SS	HF 44 SS	HL 44 SS	HDL 44 SS	T 44 SS	
48	H 48	H 48 SS	HF 48 SS	HL 48 SS	HDL 48 SS	T 48 SS	
52	H 52	H 52 SS	HF 52 SS	HL 52 SS	HDL 52 SS	T 52 SS	
56	H 56	H 56 SS	HF 56 SS	HL 56 SS	HDL 56 SS	T 56 SS	
60	H 60	H 60 SS	HF 60 SS	HL 60 SS	HDL 60 SS	T 60 SS	
64	H 64	H 64 SS	HF 64 SS	HL 64 SS	HDL 64 SS	T 64 SS	
72	H 72	H 72 SS	HF 72 SS	HL 72 SS	HDL 72 SS	T 72 SS	
80	H 80	H 80 SS	HF 80 SS	HL 80 SS	HDL 80 SS	T 80 SS	
88	H 88	H 88 SS	HF 88 SS	HL 88 SS	HDL 88 SS	T 88 SS	
96	H 96	H 96 SS	HF 96 SS	HL 96 SS	HDL 96 SS	T 96 SS	
104	H 104	H 104 SS	HF 104 SS	HL 104 SS	HDL 104 SS	T 104 SS	
116	H 116	H 116 SS	HF 116 SS	HL 116 SS	HDL 116 SS	T 116 SS	
128	H 128	H 128 SS	HF 128 SS	HL 128 SS	HDL 128 SS	T 128 SS	
140	H 140	H 140 SS	HF 140 SS	HL 140 SS	HDL 140 SS	T 140 SS	
152	H 152	H 152 SS	HF 152 SS	HL 152 SS	HDL 152 SS	T 152 SS	
164	H 164	H 164 SS	HF 164 SS	HL 164 SS	HDL 164 SS	T 164 SS	
176	H 176	H 176 SS	HF 176 SS	HL 176 SS	HDL 176 SS	T 176 SS	
188	H 188	H 188 SS	HF 188 SS	HL 188 SS	HDL 188 SS	T 188 SS	
200	H 200	H 200 SS	HF 200 SS	HL 200 SS	HDL 200 SS	T 200 SS	
212	H 212	H 212 SS	HF 212 SS	HL 212 SS	HDL 212 SS	T 212 SS	
224	H 224	H 224 SS	HF 224 SS	HL 224 SS	HDL 224 SS	T 224 SS	
236	H 236	H 236 SS	HF 236 SS	HL 236 SS	HDL 236 SS	T 236 SS	
248	H 248	H 248 SS	HF 248 SS	HL 248 SS	HDL 248 SS	T 248 SS	

"HL" Series

All "316" Series Stainless Steel Construction

Band, housing and screw are 316 series stainless steel. Screw is 5/16" slotted hex head. The all-316 stainless construction of this clamp yields superior corrosion resistance in highly corrosive conditions. This clamp is also very well-suited for marine applications.

Rated Ultimate Torque:

60in.lbs. min. (6.8Nm)

Recommended Installation Torque:

35-45in.lbs. (3.96-4.52Nm)

"HDL" Series

High Torque All "316" Series Stainless Steel Construction

Band, housing, and screw are 316 series stainless steel. Screw is 5/16" slotted hex head. 1/2 inch wide band is thicker than standard worm drive clamp. This construction yields superior in corrosive environments. Applications include plumbing, water well, municipal storm drain systems, irrigation, marine, and transportation..

Rated Ultimate Torque:

87in.lbs. min. (9.8Nm)

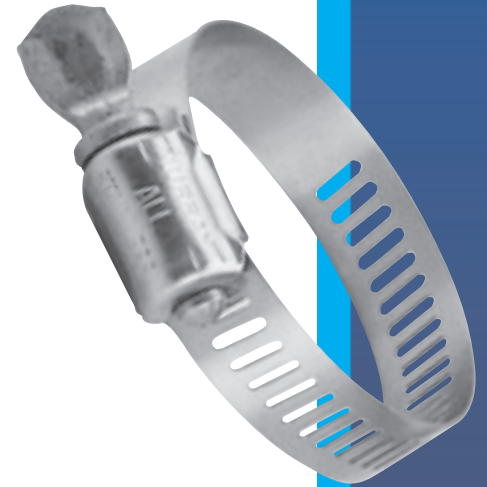
Recommended Installation Torque:

45-65in.lbs. (5.1-7.2Nm)

"T-SS" Series

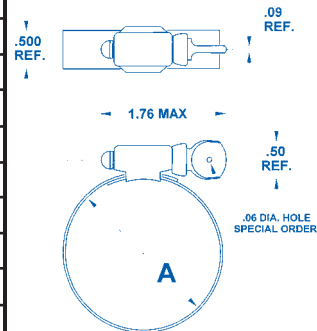
With "400" Series Stainless Screw

Band and housing are 200/300 series stainless steel. Thumbscrew is heat treated 400 series stainless steel. General-purpose clamp for applications that require only finger tightening.



"A" Diameter Range

Decimals		Inches		Millimeters		SAE Size
.44	.78	7/16	25/32	11	20	6
.44	.91	7/16	29/32	11	23	8
.56	1.06	9/16	1-1/16	14	27	10
.69	1.25	11/16	1-1/4	18	32	12
.75	1.50	3/4	1-1/2	19	38	16
.81	1.75	13/16	1-3/4	21	44	20
1.06	2.00	1-1/16	2	27	51	24
1.31	2.25	1-5/16	2-1/4	33	57	28
1.56	2.50	1-9/16	2-1/2	40	64	32
1.81	2.75	1-13/16	2-3/4	46	70	36
2.06	3.00	2-1/16	3	52	76	40
2.31	3.25	2-5/16	3-1/4	59	83	44
2.56	3.50	2-9/16	3-1/2	65	89	48
2.81	3.75	2-13/16	3-3/4	71	95	52
3.06	4.00	3-1/16	4	78	102	56
3.31	4.25	3-5/16	4-1/4	84	108	60
3.56	4.50	3-9/16	4-1/2	90	114	64
4.06	5.00	4-1/16	5	103	127	72
4.56	5.50	4-9/16	5-1/2	116	140	80
5.06	6.00	5-1/16	6	129	152	88
5.56	6.50	5-9/16	6-1/2	141	165	96
6.06	7.00	6-1/16	7	154	178	104
6.50	7.75	6-1/2	7-3/4	165	197	116
5.69	8.50	5-11/16	8-1/2	144	216	128
6.44	8.25	6-7/16	9-1/4	163	235	140
7.19	10.00	7-3/16	10	182	254	152
7.94	10.75	7-15/16	10-3/4	201	273	164
8.69	11.50	8-11/16	11-1/2	225	292	176
9.44	12.25	9-7/16	12-1/4	239	311	188
10.19	13.00	10-3/16	13	259	330	200
10.94	13.75	10-15/16	13-3/4	277	349	212
11.69	14.50	11-11/16	14-1/2	296	368	224
12.44	15.25	12-7/16	15-1/4	315	387	236
13.19	16.00	13-3/16	16	335	406	248



OTHER SIZES
AVAILABLE UPON
REQUEST

AVAILABLE IN
PACKED AND BULK
STOCK

OTHER
PACKAGING
CONFIGURATIONS
AVAILABLE