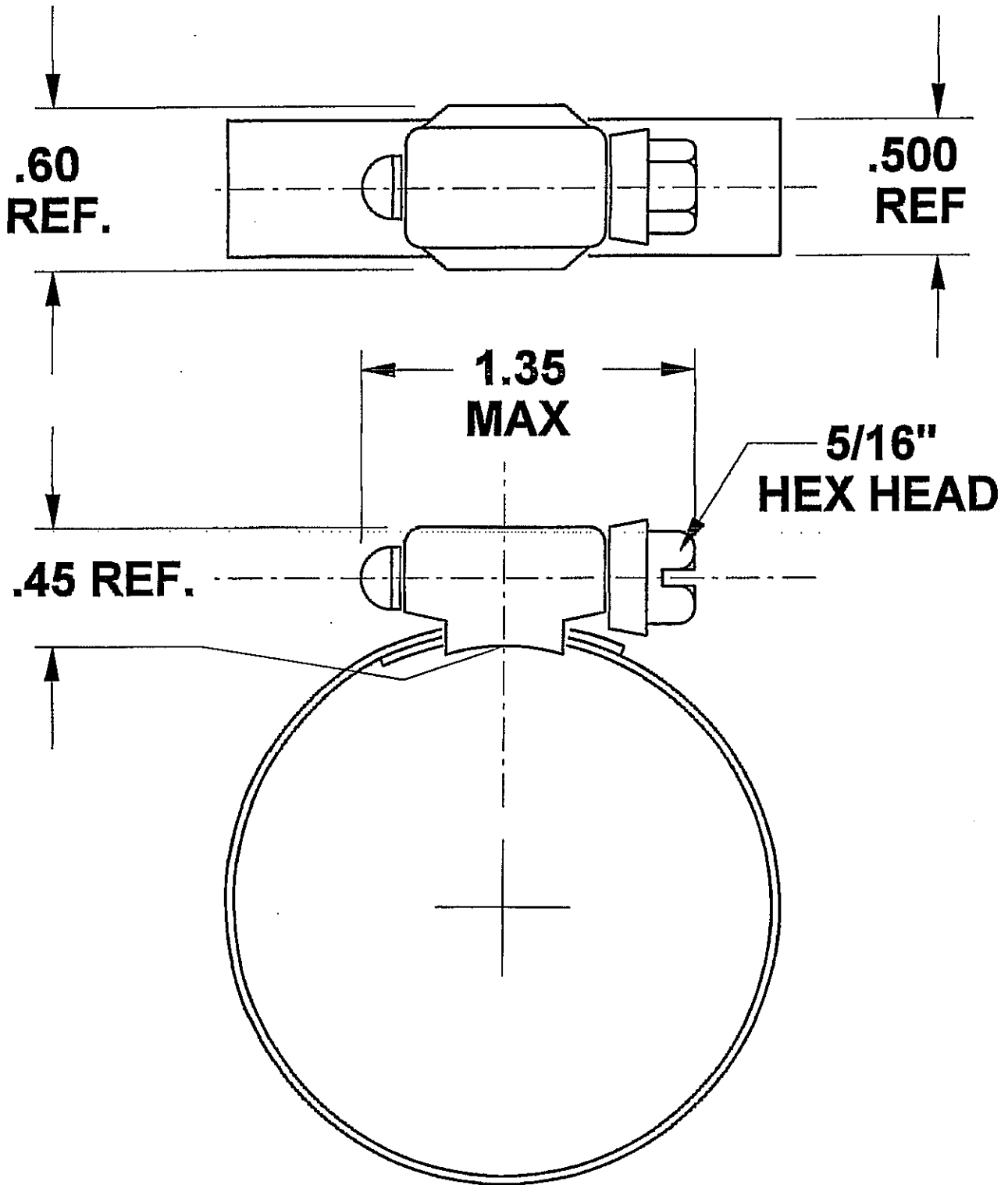


ICAD/FLYER/H



Applies to: H, H-SS, HF-SS, HL-SS Series