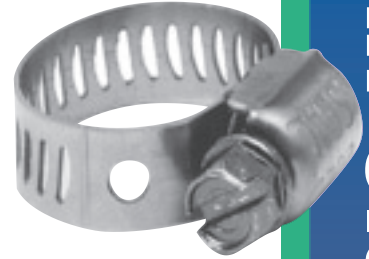


SAE TYPE "M"

5/16" Wide Worm Gear Clamp

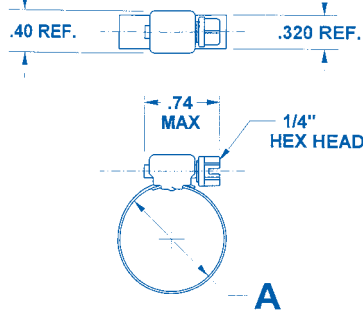
Lightweight, low profile, compact design allows ease of installation in restricted applications. The 5/16" band width generates significant sealing pressure with relatively low installation torque levels. 300 Series Stainless Steel Band and Housing.



Rated Ultimate Torque: Carbon/400SS Screw 20in.lbs. min. (2.3Nm)
300SS Screw 15in.lbs. min. (1.7Nm)

Recommended Installation Torque:
Carbon/400SS Screw 12-15in.lbs. (1.4-1.7Nm)
300SS Screw 10-12in.lbs. (1.1-1.4Nm)

| SAE Ref. | Clamp Part No. | | | "A" Diameter Range | | | | | | |
|----------|----------------|----------------------|-------------------------------|----------------------------|----------|------|--------|--------|-------------|----|
| | No. | Double Plated Screws | "400" Series Stainless Screws | ALL "300" Series Stainless | Decimals | | Inches | | Millimeters | |
| | | | | Min. | Max. | Min. | Max. | Min. | Max. | |
| 4 | MM 3 | MM 3 SS | MMF 3 SS | .25 | .50 | 1/4 | 1/2 | 6 | 13 | |
| | MM 4 | MM 4 SS | MMF 4 SS | .25 | .63 | 1/4 | 5/8 | 6 | 16 | |
| | 6/8 | MM 5 | MM 5 SS | MMF 5 SS | .31 | .91 | 5/16 | 29/32 | 8 | 23 |
| | 10 | MM 10 | MM 10 SS | MMF 10 SS | .56 | 1.06 | 9/16 | 1-1/16 | 14 | 27 |



OTHER SIZES AVAILABLE UPON REQUEST • AVAILABLE IN PACKED AND BULK STOCK
OTHER PACKAGING CONFIGURATIONS AVAILABLE

SAE TYPE "F" EXTENDED BAND

1/2" Wide Worm Gear Clamp

Designed for Silicone, E.P.D.M. and other soft hose.

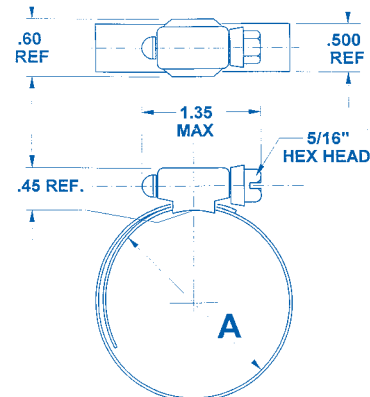
The inner band is an integral extension of the 1/2" wide band clamp to create a smooth inner surface that prevents extrusion of soft hose through the slots. Band and housing are 200/300 series stainless steel with 5/16" slotted hex head shouldered screw.

Rated Ultimate Torque: Carbon/400SS Screw 50in.lbs. min. (5.6Nm)
300SS Screw 60in.lbs. min. (6.8Nm)

Recommended Installation Torque:
30-40in.lbs. (3.4-4.5Nm)



| Clamp Part No. | "A" Diameter Range | | | | | | | |
|----------------|----------------------|-------------------------------|----------------------------|----------|---------|--------|------|-------------|
| | Double Plated Screws | "400" Series Stainless Screws | All "300" Series Stainless | Decimals | | Inches | | Millimeters |
| | | | Min. | Max. | Min. | Max. | Min. | Max. |
| 4808 | 4808 SS | 4808 SS 305 | .50 | .91 | 1/2 | 29/32 | 13 | 23 |
| 4810 | 4810 SS | 4810 SS 305 | .63 | 1.06 | 5/8 | 1-1/16 | 16 | 27 |
| 4812 | 4812 SS | 4812 SS 305 | .69 | 1.25 | 11/16 | 1-1/4 | 18 | 32 |
| 4816 | 4816 SS | 4816 SS 305 | .81 | 1.50 | 13/16 | 1-1/2 | 21 | 38 |
| 4820 | 4820 SS | 4820 SS 305 | .94 | 1.75 | 15/16 | 1-3/4 | 24 | 45 |
| 4824 | 4824 SS | 4824 SS 305 | 1.06 | 2.00 | 1-1/16 | 2 | 27 | 51 |
| 4828 | 4828 SS | 4828 SS 305 | 1.31 | 2.25 | 1-5/16 | 2-1/4 | 33 | 57 |
| 4832 | 4832 SS | 4832 SS 305 | 1.56 | 2.50 | 1-9/16 | 2-1/2 | 40 | 64 |
| 4836 | 4836 SS | 4836 SS 305 | 1.81 | 2.75 | 1-13/16 | 2-3/4 | 46 | 70 |
| 4840 | 4840 SS | 4840 SS 305 | 2.06 | 3.00 | 2-1/16 | 3 | 52 | 76 |
| 4844 | 4844 SS | 4844 SS 305 | 2.31 | 3.25 | 2-5/16 | 3-1/4 | 59 | 83 |
| 4848 | 4848 SS | 4848 SS 305 | 2.56 | 3.50 | 2-9/16 | 3-1/2 | 65 | 89 |
| 4852 | 4852 SS | 4852 SS 305 | 2.81 | 3.75 | 2-13/16 | 3-3/4 | 71 | 95 |
| 4856 | 4856 SS | 4856 SS 305 | 3.06 | 4.00 | 3-1/16 | 4 | 78 | 102 |
| 4860 | 4860 SS | 4860 SS 305 | 3.31 | 4.25 | 3-5/16 | 4-1/4 | 84 | 108 |
| 4864 | 4864 SS | 4864 SS 305 | 3.56 | 4.50 | 3-9/16 | 4-1/2 | 90 | 114 |
| 4872 | 4872 SS | 4872 SS 305 | 4.06 | 5.00 | 4-1/16 | 5 | 103 | 127 |



OTHER SIZES AVAILABLE UPON REQUEST • AVAILABLE IN PACKED AND BULK STOCK
OTHER PACKAGING CONFIGURATIONS AVAILABLE

Mini-Clamps®

Extended Band Clamps